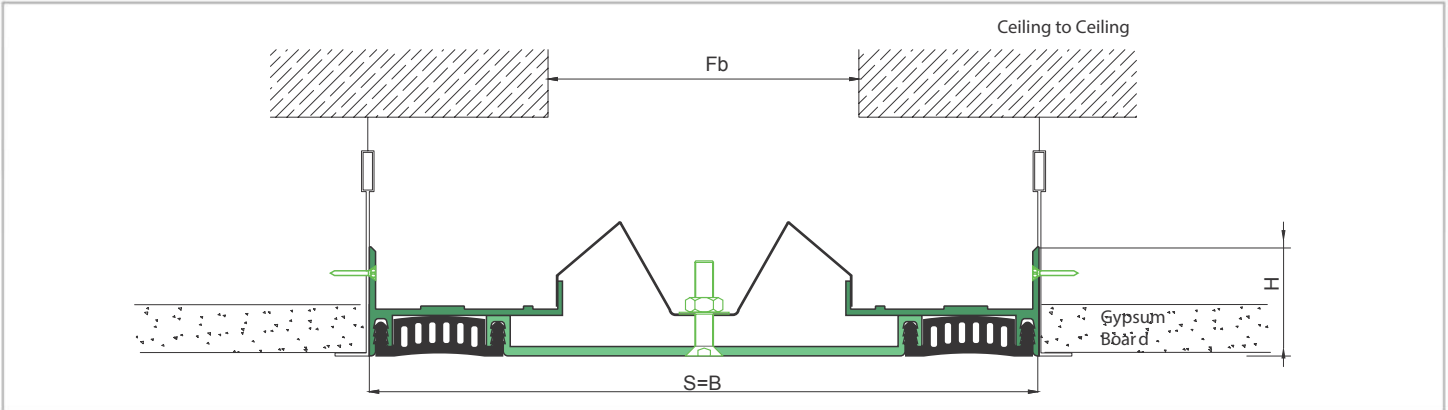




AS A159 flush mounted profile is designed particularly for suspended ceiling applications at indoor areas. Base frames of the profile are screwed on the metal suspended ceiling support profile at both sides. Dual cavity elastomeric gasket gains the profile high movement ability and can easily be changed without demounting the profile. It can be applied with floor profile AS A259 as matching model.

- Application Areas** : Indoor / Suspended Ceiling
- Ideal for** : Shopping Malls, Residences, Hospitals, Hotels, Commercial & Public Buildings etc.
- Material** : Mill Finish Aluminum (Anodizing optional), TPE Gasket, Stainless Steel Spring
- Aluminum Alloy** : 6063 AA-USA / EN AW 6063
- Optional Supplies** : Fire Barrier, Waterproof EPDM membrane

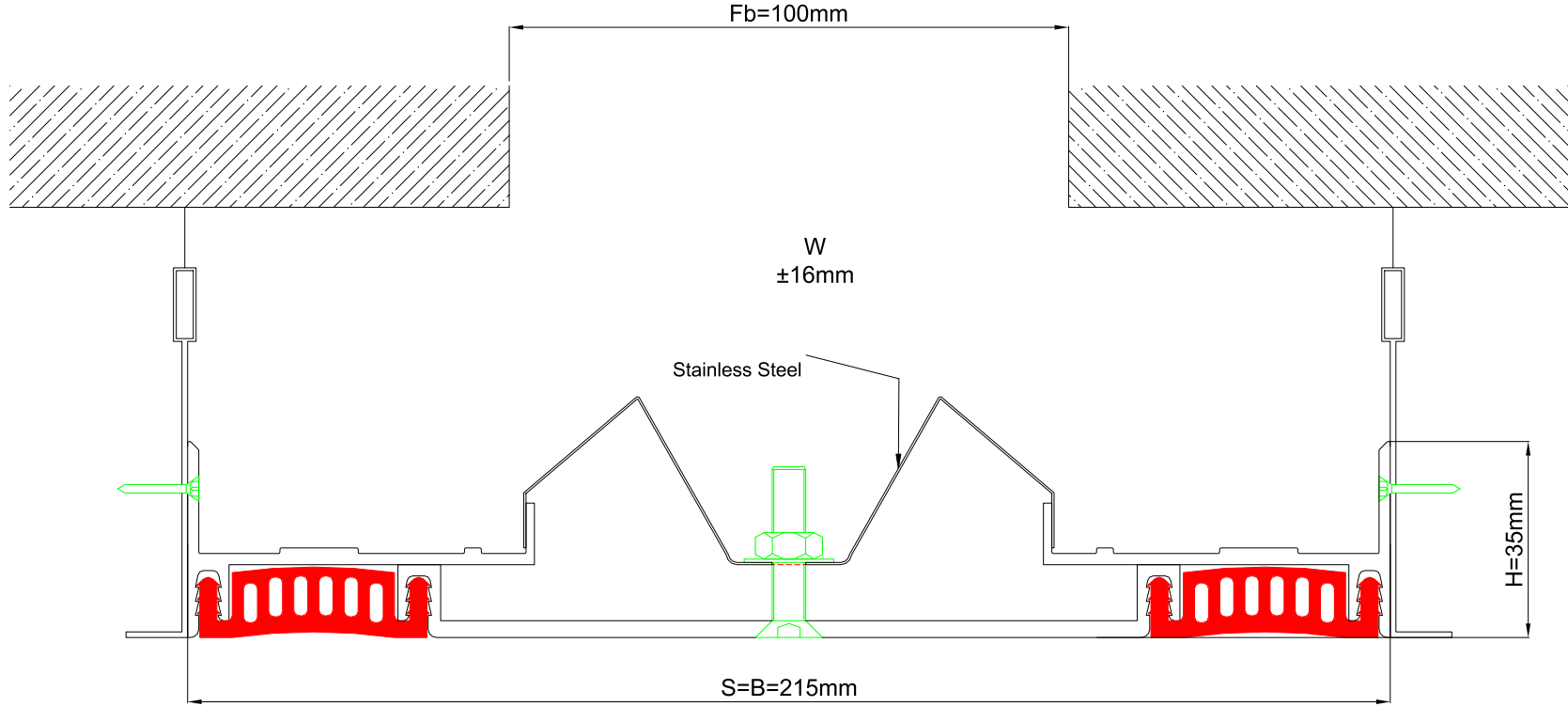


* Visuals are representative and the profile configuration may differ depending on the characteristics requested.

GASKET COLORS **BLACK** GREY BEIGE Custom Colors available.

LOCATION	MODEL	GAP (Fb) mm	HEIGHT (H) MM	OVERALL WIDTH (B) mm	VISIBLE WIDTH (S) mm	MOVEMENT (W) mm	LOAD CAPACITY	STANDARD LENGTH (mt)
Ceiling to Ceiling	AS A159-050	50	35	165	165	± 16	N/A	3
	AS A159-100	100	35	215	215	± 16	N/A	3

Note: Please ask for different sizes



Profil No Profile Number	AS A159 100
Fb (mm)	100
H (mm) yaklaşık approx.	35
W± (mm) yaklaşık approx.	±16
Renk Color	Alüminyum: Natürel, Fitiller: Siyah, gri, diğer Aluminum: Natural, Inserts: Black, grey, others
Malzeme Material	Alüminyum, Termoplastik Kauçuk (gri ve diğer) Aluminum, Thermoplastic Rubber (grey and others)
Standart Uzunluk (m) Standard Length (m)	3

AS A159 100
H35V